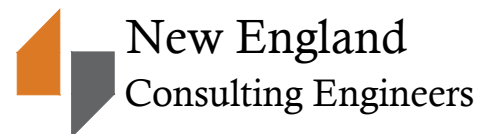


TOWN OF MARSHFIELD MARSHFIELD, VERMONT

USDA NRCS EMERGENCY WATERSHED PROGRAM STREAMBANK PROTECTION DEBRIS REMOVAL MULTIPLE SITES

September 2024

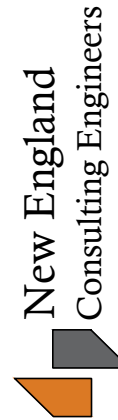


ENGINEERING AND ENVIRONMENTAL SERVICES
120 NORTHGATE PLAZA
MORRISVILLE, VERMONT 05661
(802) 888-5722



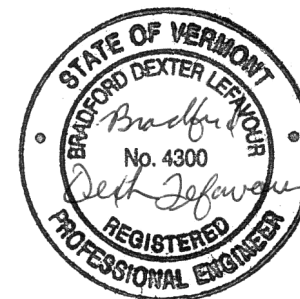
DRAWING INDEX

SHEET	DSR	DESCRIPTION		
-	DSR5041	COVER	STREAMBANK PROTECTION AND DEBRIS REMOVAL	-
1	DSR5041	DRAWING INDEX AND NOTES	STREAMBANK PROTECTION AND DEBRIS REMOVAL	-
2	DSR5041	LOCATION MAP	STREAMBANK PROTECTION AND DEBRIS REMOVAL	-
3	DSR5041-028	1401 US RT 2	STREAMBANK PROTECTION	PLOT PLAN
4	DSR5041-028	1401 US RT 2	STREAMBANK PROTECTION	SITE PLAN
5	DSR5041-028	1401 US RT 2	STREAMBANK PROTECTION	SITE PLAN
6	DSR5041-028	1401 US RT 2	STREAMBANK PROTECTION	SECTIONS
7	DSR5041-028	1401 US RT 2	STREAMBANK PROTECTION	SECTIONS
8	DSR5041-30	40 LOWER DEPOT ROAD	STREAMBANK PROTECTION	PLOT PLAN
9	DSR5041-30	40 LOWER DEPOT ROAD	STREAMBANK PROTECTION	SITE PLAN
10	DSR5041-30	40 LOWER DEPOT ROAD	STREAMBANK PROTECTION	SECTIONS
11	DSR5041-34	83 CREAMERY ST	DEBRIS REMOVAL	PLOT PLAN
12	DSR5041-34	83 CREAMERY ST	DEBRIS REMOVAL	SITE PLAN
13	DSR5041-37	311 NASMITH BROOK ROAD	STREAMBANK PROTECTION	PLOT PLAN
14	DSR5041-37	311 NASMITH BROOK ROAD	STREAMBANK PROTECTION	SITE PLAN
15	DSR5041-37	311 NASMITH BROOK ROAD	STREAMBANK PROTECTION	SECTIONS
16	DSR5041-41	42 ONION RIVER ROAD	STREAMBANK PROTECTION	PLOT PLAN
17	DSR5041-41	42 ONION RIVER ROAD	STREAMBANK PROTECTION	SITE PLAN
18	DSR5041-41	42 ONION RIVER ROAD	STREAMBANK PROTECTION	SECTIONS
19	DSR5041-235	692 HOLT ROAD	STREAMBANK PROTECTION	PLOT PLAN
20	DSR5041-235	692 HOLT ROAD	STREAMBANK PROTECTION	SITE PLAN
21	DSR5041-235	692 HOLT ROAD	STREAMBANK PROTECTION	SECTIONS



TOWN OF MARSHFIELD
USDA EWP PROJECT
MARSHFIELD, VERMONT

DSR NO. 5041
STREAMBANK PROTECTION & DEBRIS REMOVAL
DRAWING INDEX



PROJECT NO. 1056
DESIGNED BY: BDL
DRAWN BY: HST
DATE: JULY 2024
SCALE: AS NOTED

1



DSR 5041-034
83 CREAMERY STREET

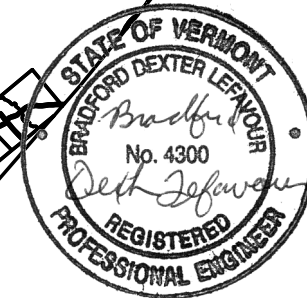
DSR 5041-28
1401 US RT 2

DSR 5041-30
40 LOWER DEPOT ROAD

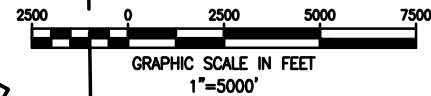
DSR 5041-37
311 NASMITH BROOK ROAD

DSR 5041-41
42 ONION RIVER ROAD

DSR 5041-235
692 HOLT ROAD



TOWN OF MIDDLESEX
DSR NO. 5041
SITE LOCATION MAP



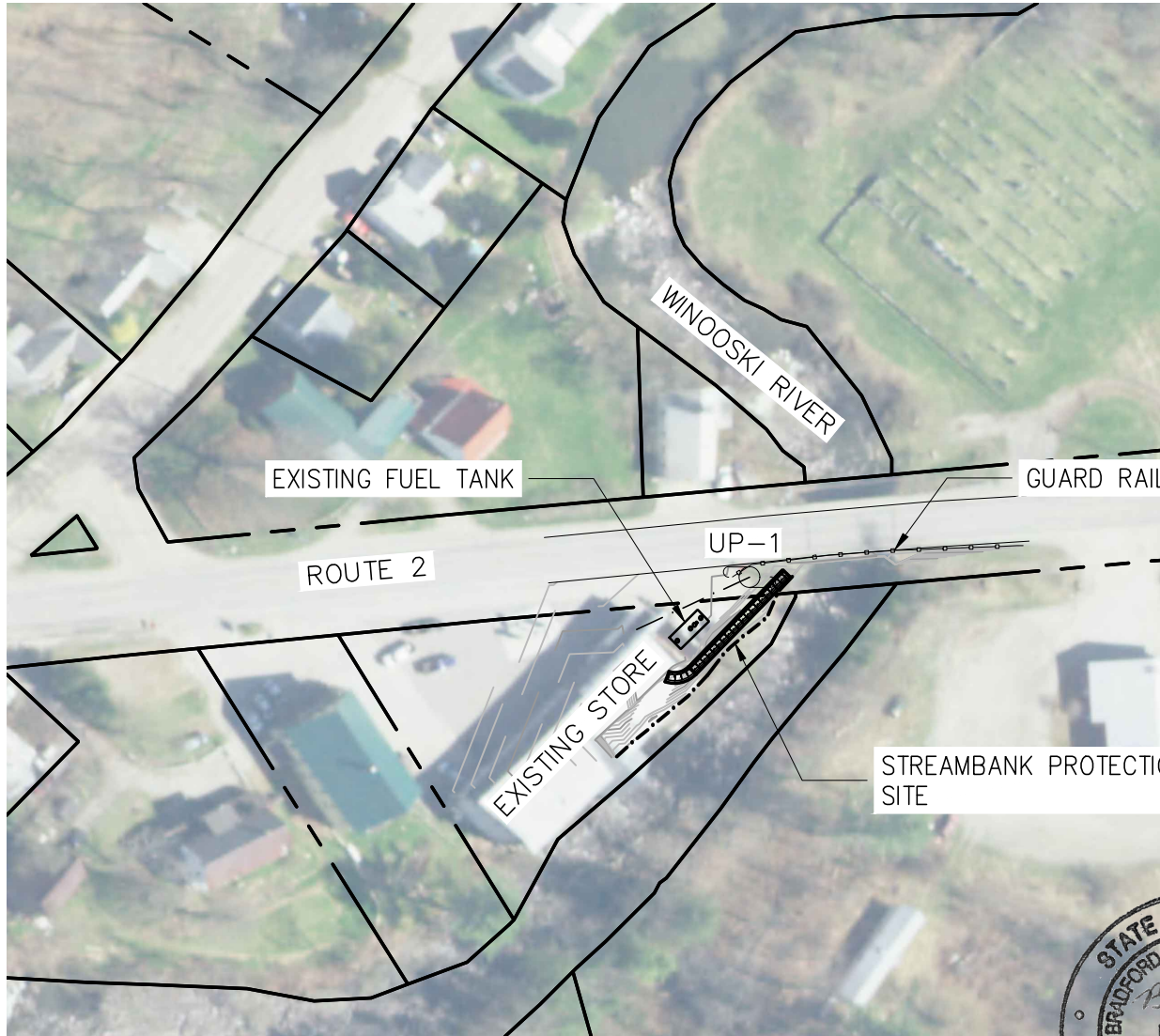
New England
Consulting Engineers

TOWN OF MARSHFIELD
USDA EWP PROJECT
MARSHFIELD, VERMONT

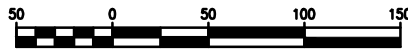
DSR NO. 5041
STREAMBANK PROTECTION & DEBRIS REMOVAL
SITES LOCATION MAP

PROJECT NO. 1056
DESIGNED BY: BDL
DRAWN BY: HST
DATE: JULY 2024
SCALE: AS NOTED

2



PLOT PLAN



GRAPHIC SCALE IN FEET
1"=100'



New England
Consulting Engineers

TOWN OF MARSHFIELD
USDA EWP PROJECT
MARSHFIELD, VERMONT

DSR NO. 5041-028
1401 US RT 2

STREAMBANK PROTECTION - PLAN

PROJECT NO. 1056

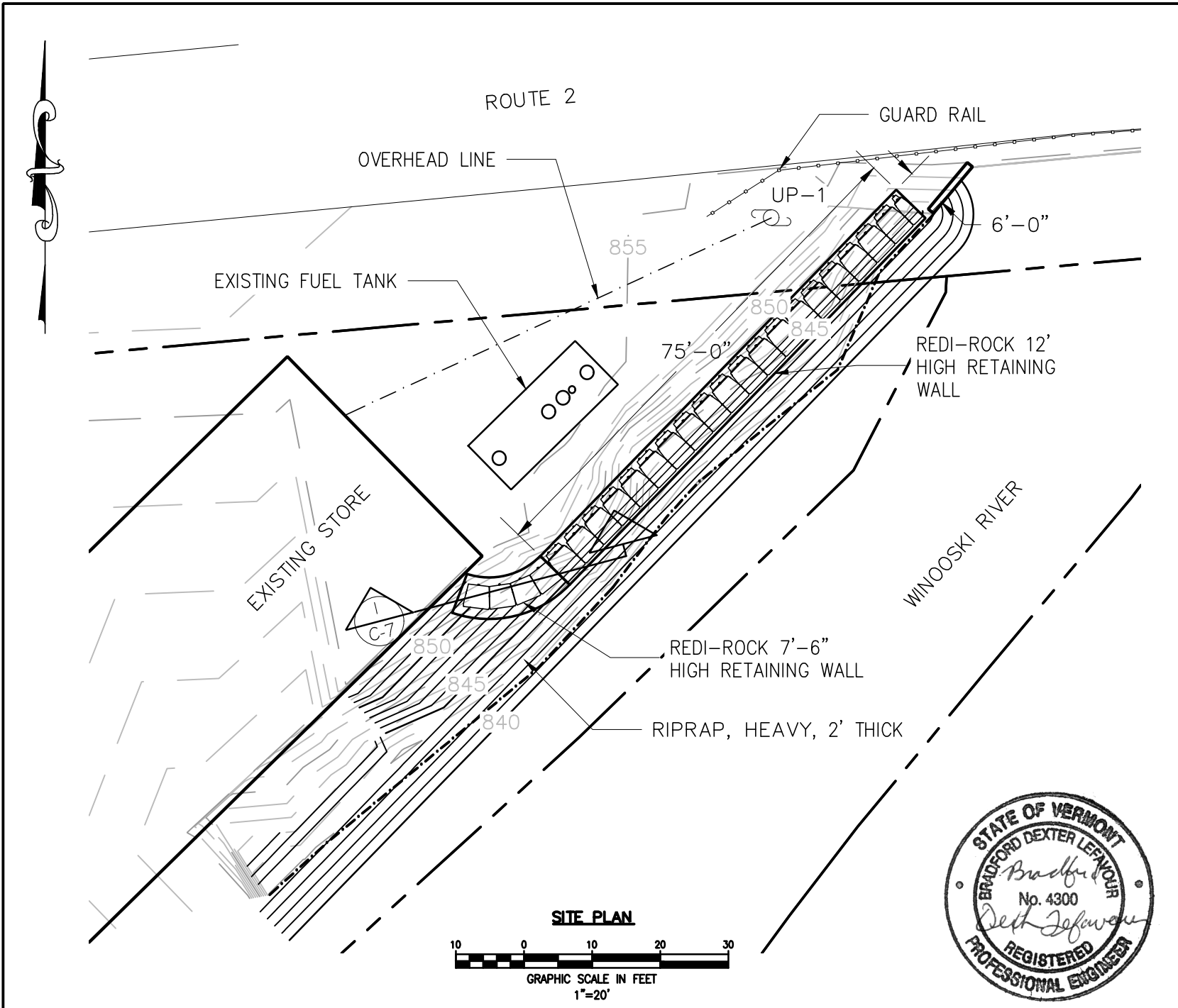
DESIGNED BY: BDL

DRAWN BY: HST

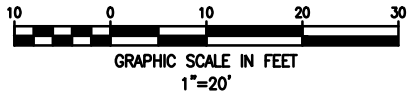
DATE: JULY 2024

SCALE: AS NOTED

3



SITE PLAN



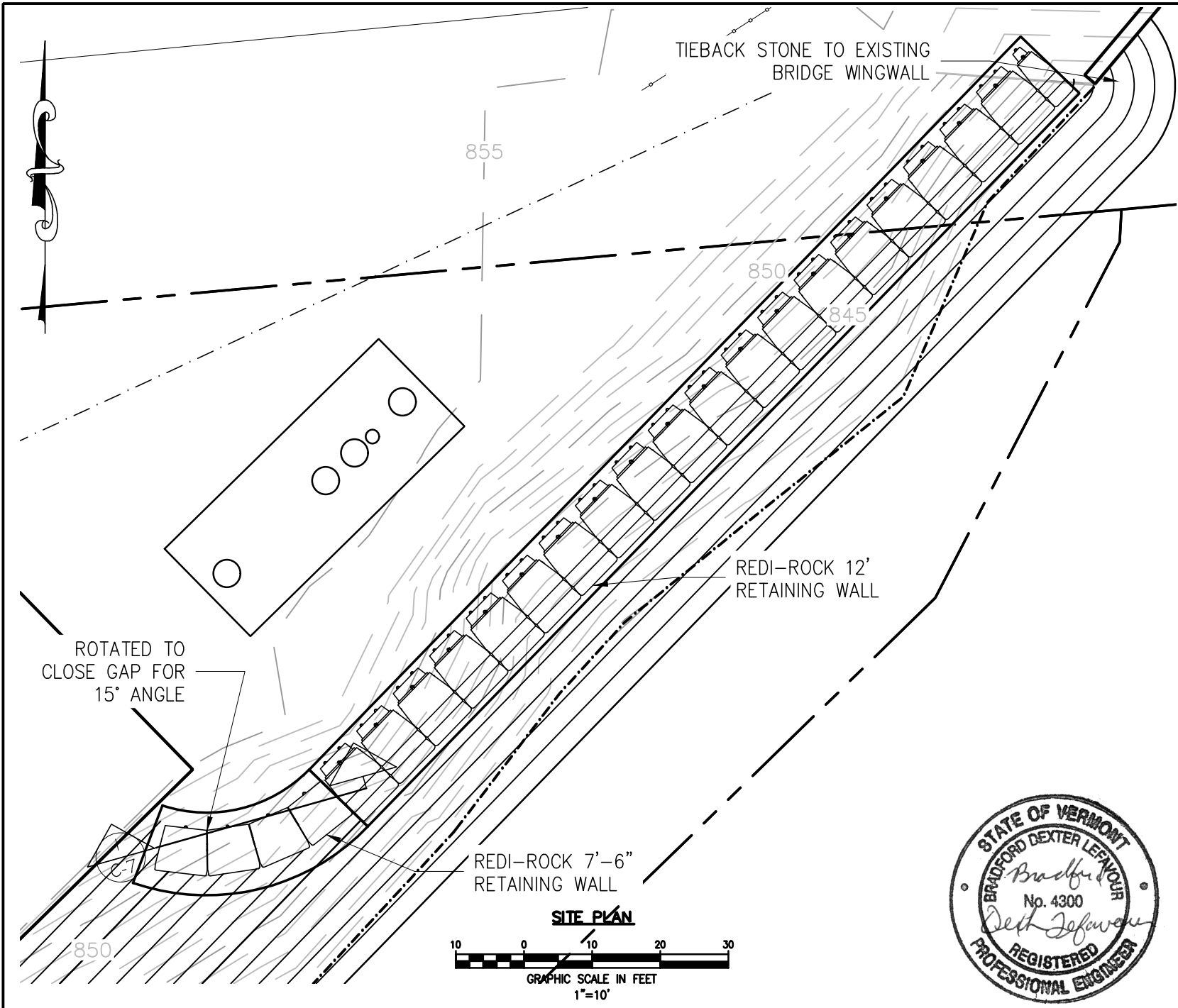
New England
Consulting Engineers

TOWN OF MARSHFIELD
USDA EWP PROJECT
MARSHFIELD, VERMONT

DSR NO. 5041-028
1401 US RT 2 - SITE 1
STREAMBANK PROTECTION - PLAN 1

PROJECT NO. 1056
DESIGNED BY: BDL
DRAWN BY: HST
DATE: JULY 2024
SCALE: AS NOTED

4



New England
Consulting Engineers

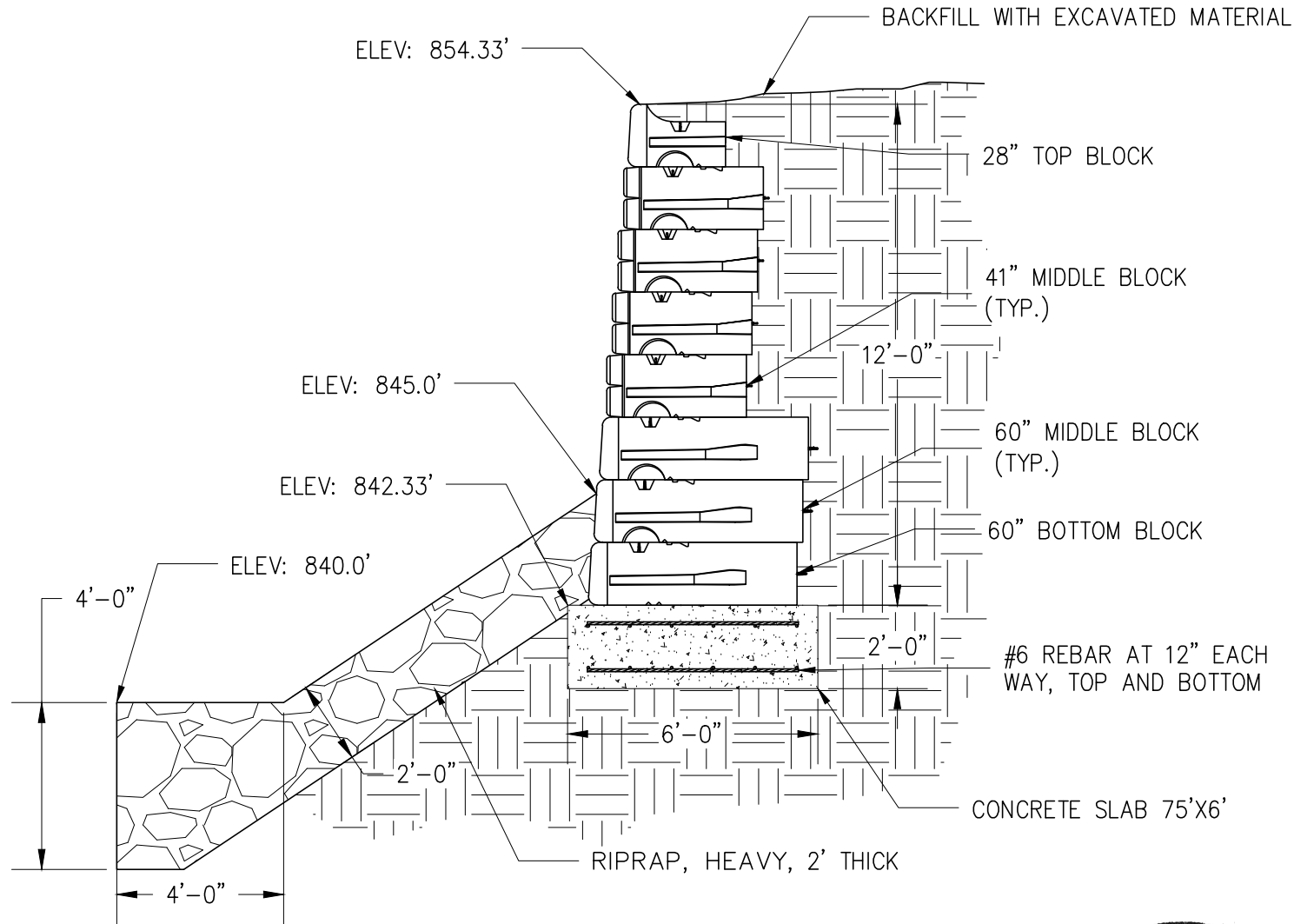
TOWN OF MARSHFIELD
USDA EWP PROJECT
MARSHFIELD, VERMONT

DSR NO. 5041-028
1401 US RT 2 - SITE 1
STREAMBANK PROTECTION - PLAN 1

PROJECT NO.	1056
DESIGNED BY:	BDL
DRAWN BY:	HST
DATE:	JULY 2024
SCALE:	AS NOTED



5



REDI-ROCK RETAINING WALL DETAIL
 SCALE: 1/4"=1'



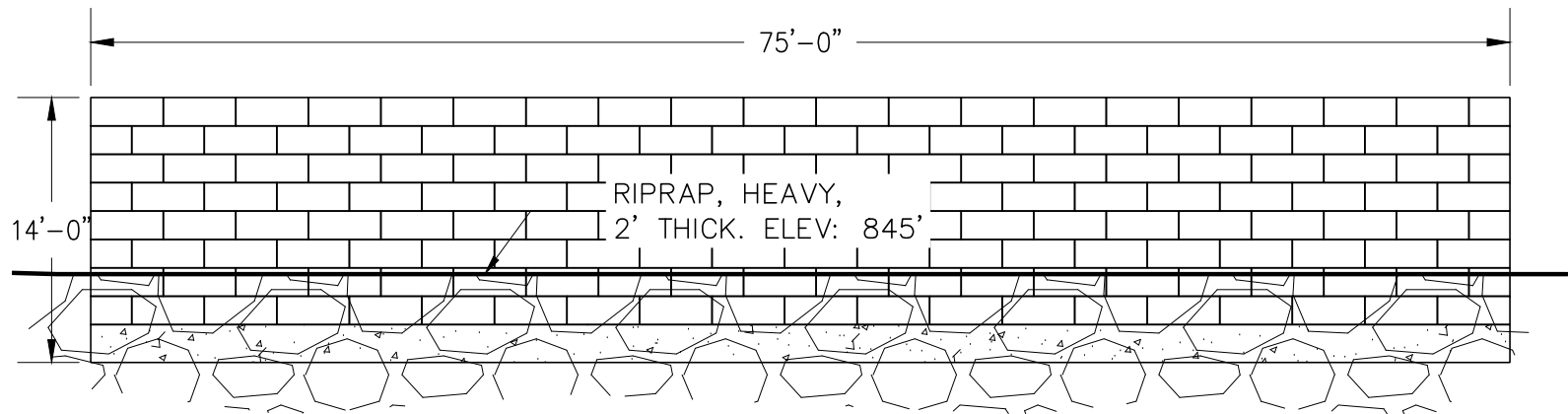
New England
 Consulting Engineers

TOWN OF MARSHFIELD
 USDA EWP PROJECT
 MARSHFIELD, VERMONT

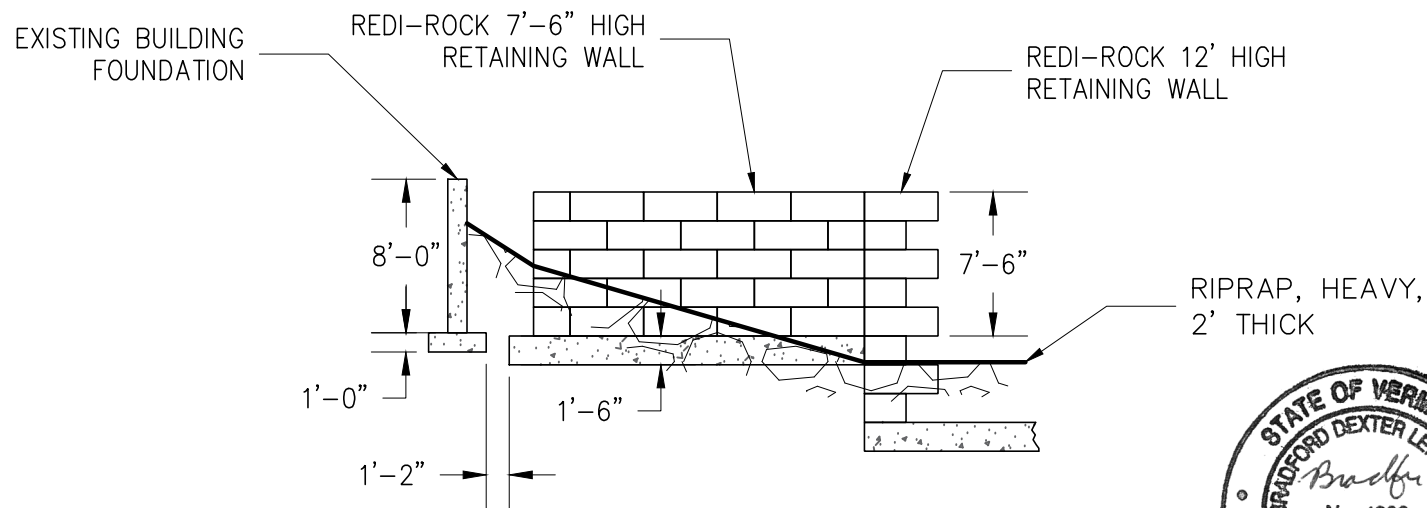
DSR NO. 5041-028
 1401 US RT 2 SITE 1
 STREAMBANK PROTECTION - SECTIONS

PROJECT NO. 1056
 DESIGNED BY: BDL
 DRAWN BY: HST
 DATE: JULY 2024
 SCALE: AS NOTED

6



REDI-ROCK RETAINING WALL DETAIL
SCALE: 1"=10'



1 SECTION - REDI-ROCK RETAINING WALL SECTION
SCALE: 1"=10'



New England
Consulting Engineers

TOWN OF MARSHFIELD
USDA EWP PROJECT
MARSHFIELD, VERMONT

DSR NO. 5041-028
1401 US RT 2 SITE 1
STREAMBANK PROTECTION - SECTIONS

PROJECT NO. 1056
DESIGNED BY: BDL
DRAWN BY: HST
DATE: JULY 2024
SCALE: AS NOTED

7



PLOT PLAN



GRAPHIC SCALE IN FEET
1"=100'



New England
Consulting Engineers

TOWN OF MARSHFIELD
USDA EWP PROJECT
MARSHFIELD, VERMONT

DSR NO. 5041-030
40 LOWER DEPOT ROAD
STREAMBANK PROTECTION - PLAN

PROJECT NO. 1056

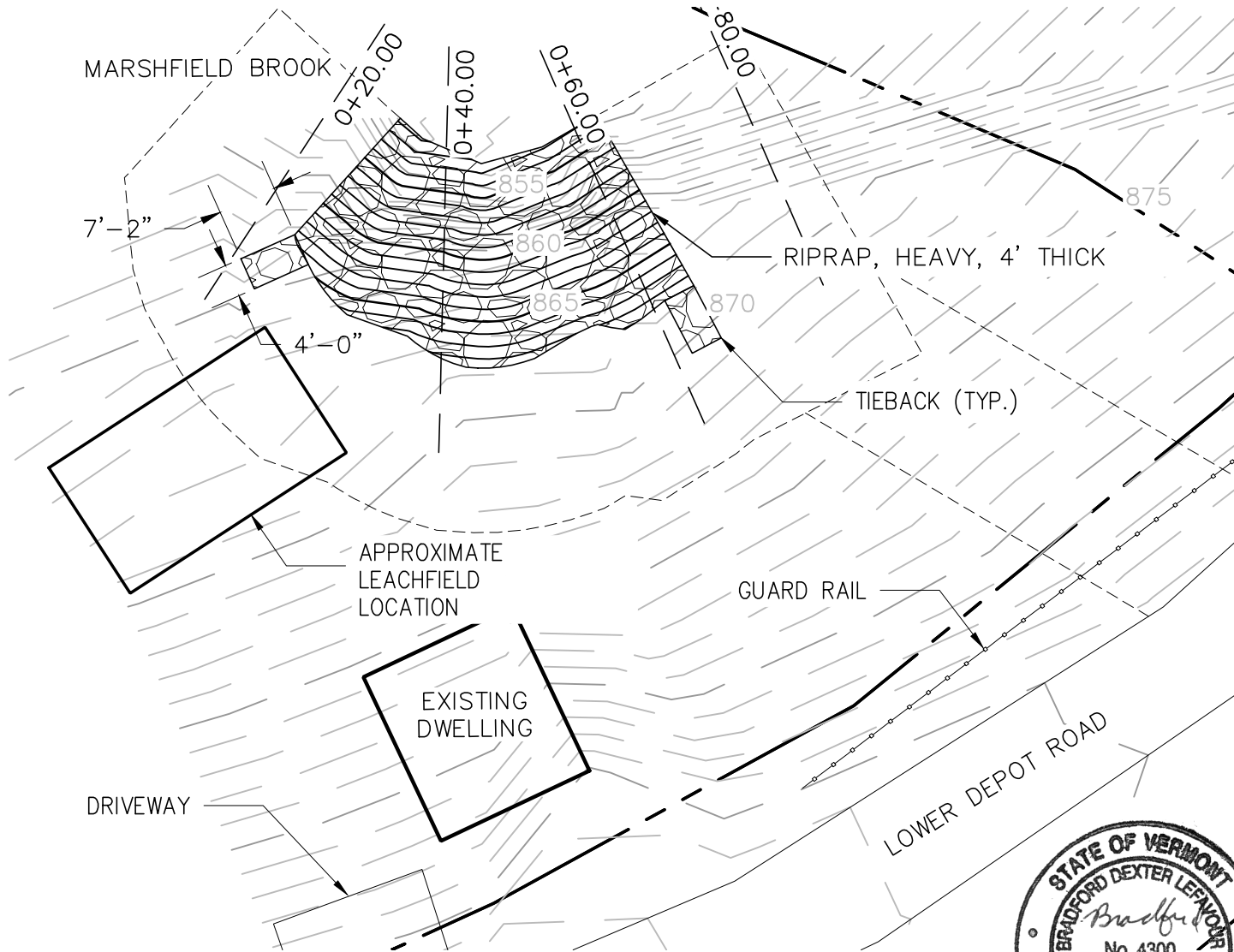
DESIGNED BY: BDL

DRAWN BY: HST

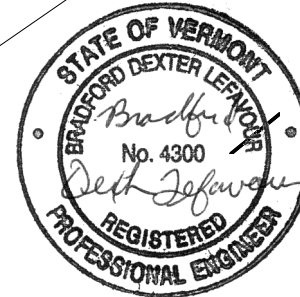
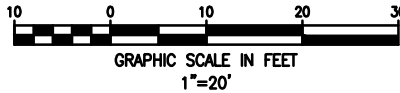
DATE: JULY 2024

SCALE: AS NOTED

8



SITE PLAN



New England
Consulting Engineers

TOWN OF MARSHFIELD
USDA EWP PROJECT
MARSHFIELD, VERMONT

DSR NO. 5041-030
40 LOWER DEPOT ROAD - SITE 1
STREAMBANK PROTECTION - PLAN 1

PROJECT NO. 1056

DESIGNED BY: BDL

DRAWN BY: HST

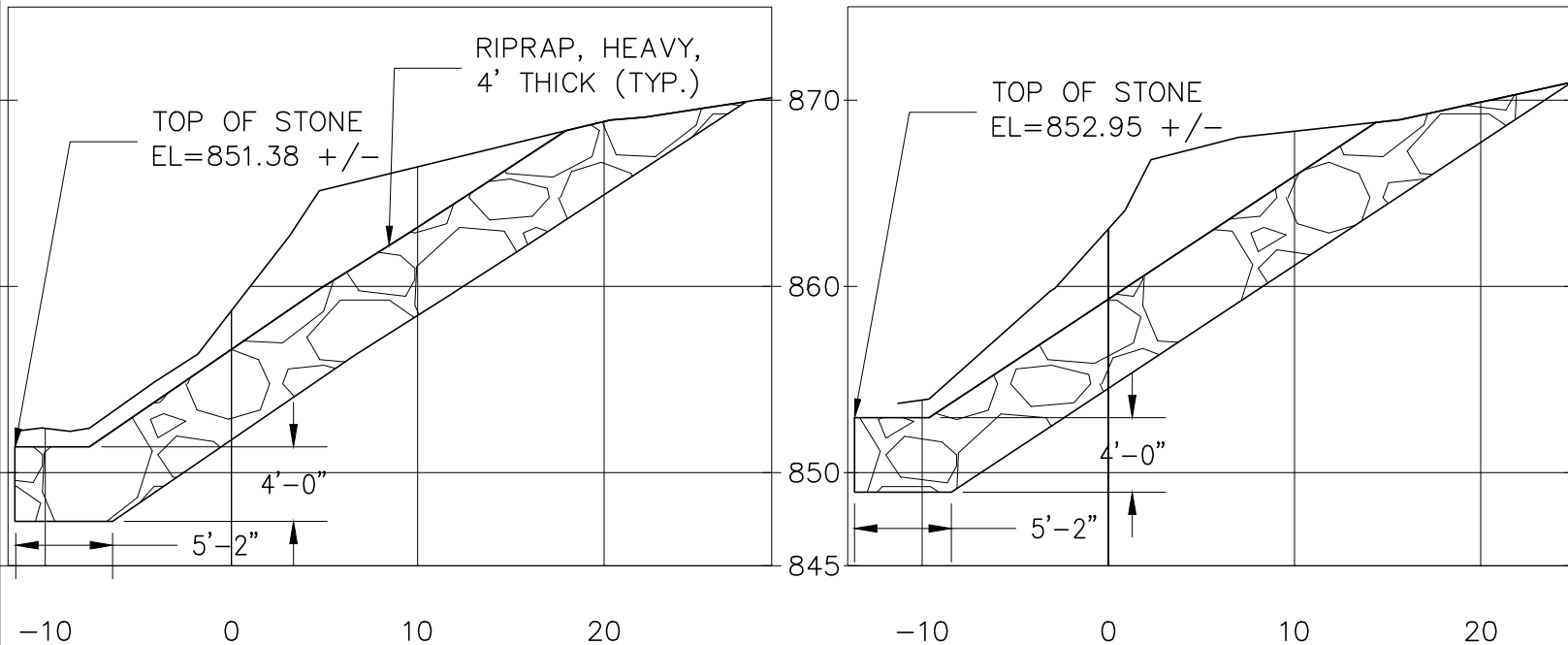
DATE: JULY 2024

SCALE: AS NOTED

9

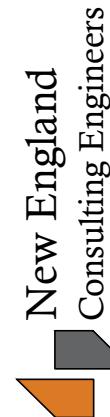
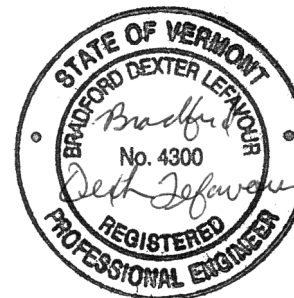
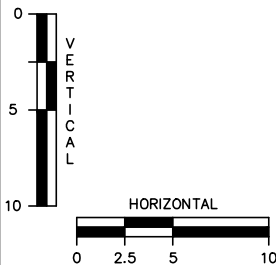
0+40.00

0+60.00



STREAM PROFILE STA 0+40 TO 0+60

SCALE: H 1"=10"
V 1=10'



TOWN OF MARSHFIELD
USDA EWP PROJECT
MARSHFIELD, VERMONT

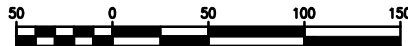
DSR NO. 5041-030
40 LOWER DEPOT ROAD - SITE 1
STREAMBANK PROTECTION - SECTIONS

PROJECT NO.	1056
DESIGNED BY:	BDL
DRAWN BY:	HST
DATE:	JULY 2024
SCALE:	AS NOTED

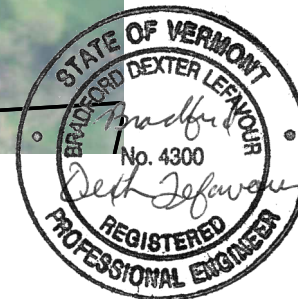
10



PLOT PLAN



GRAPHIC SCALE IN FEET
1"=100'



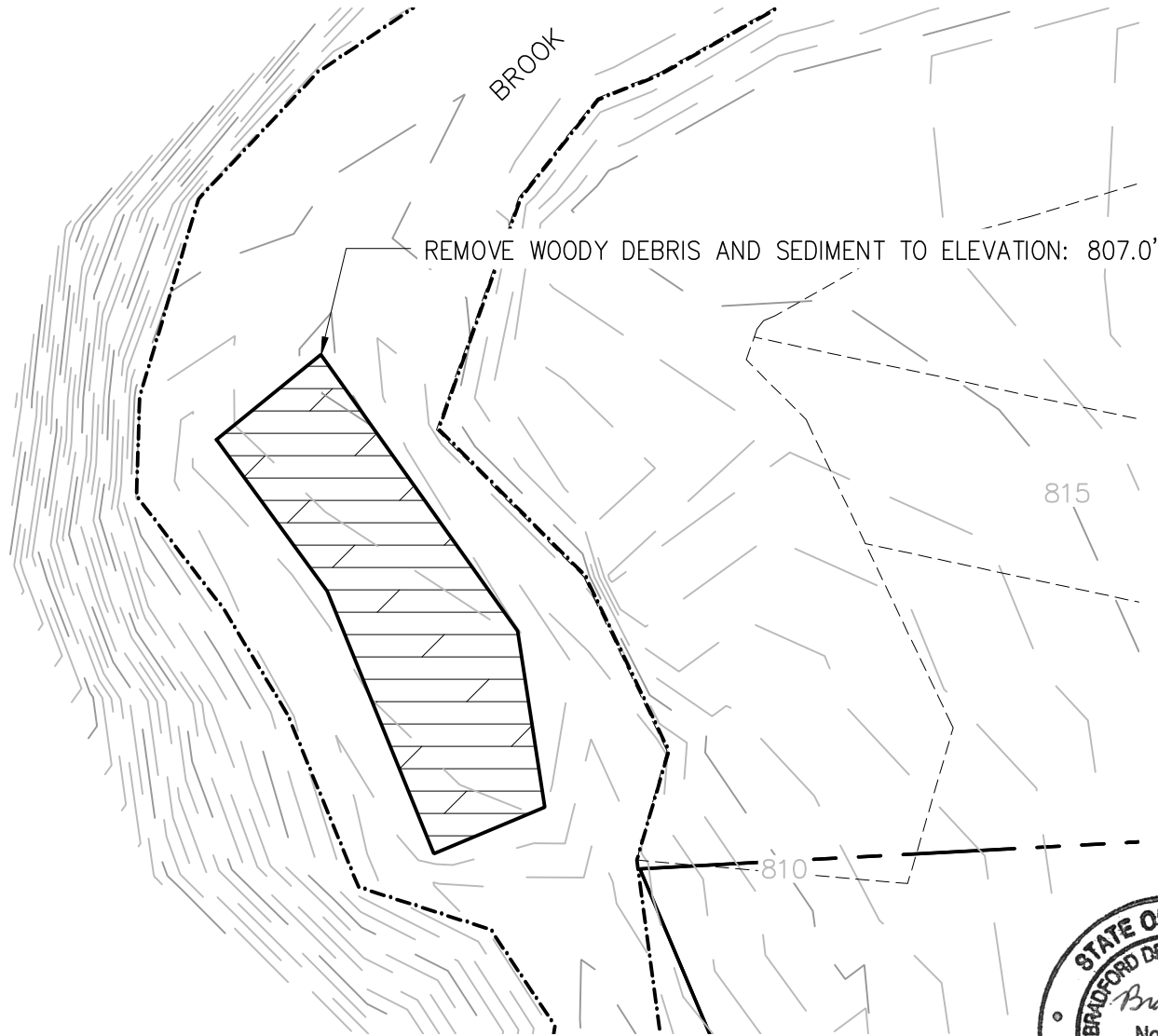
New England
Consulting Engineers

TOWN OF MARSHFIELD
USDA EWP PROJECT
MARSHFIELD, VERMONT

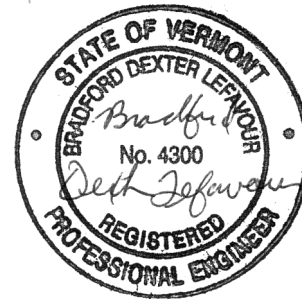
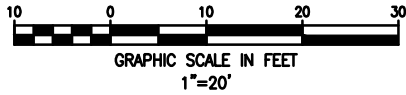
DSR NO. 5041-034
83 CREAMERY STREET
STREAMBANK PROTECTION - PLAN

PROJECT NO.	1056
DESIGNED BY:	BDL
DRAWN BY:	HST
DATE:	JULY 2024
SCALE:	AS NOTED

11



SITE PLAN



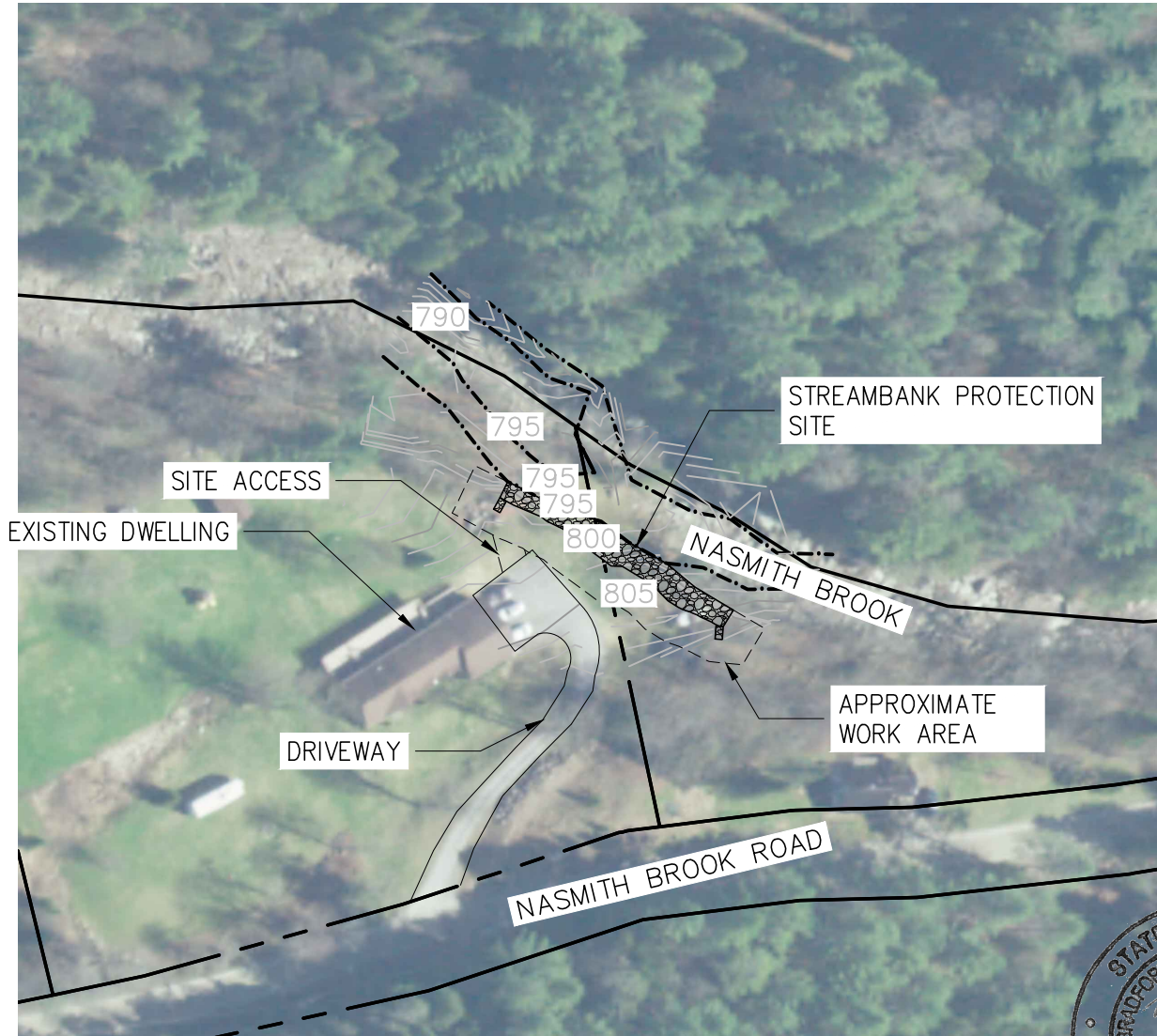
New England
Consulting Engineers

TOWN OF MARSHFIELD
USDA EWP PROJECT
MARSHFIELD, VERMONT

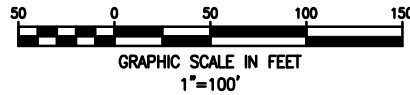
DSR NO. 5041-034
83 CREAMERY STREET - SITE 1
STREAMBANK PROTECTION - PLAN 1

PROJECT NO. 1056
DESIGNED BY: BDL
DRAWN BY: HST
DATE: JULY 2024
SCALE: AS NOTED

12



PLOT PLAN



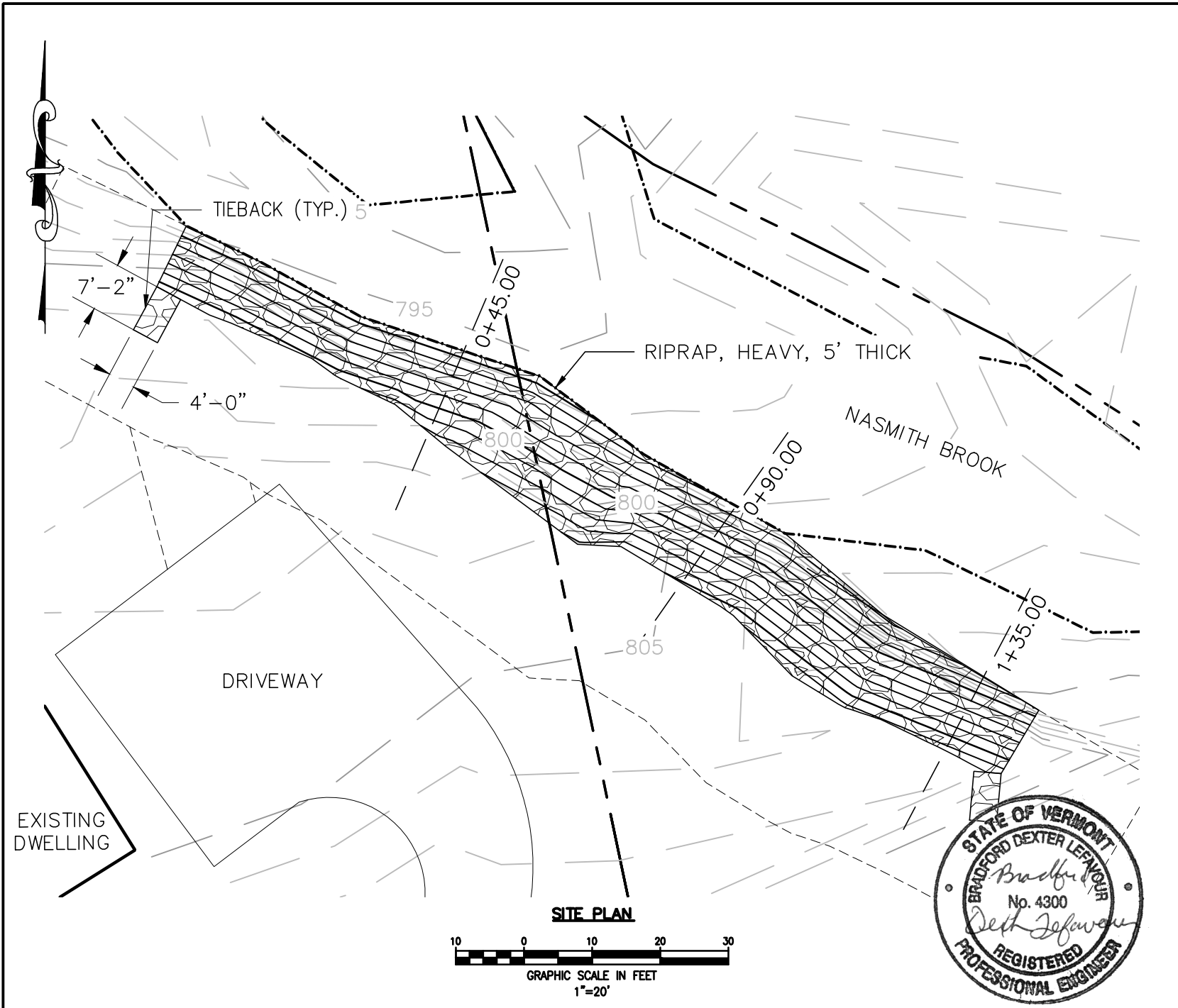
New England
 Consulting Engineers

TOWN OF MARSHFIELD
 USDA EWP PROJECT
 MARSHFIELD, VERMONT

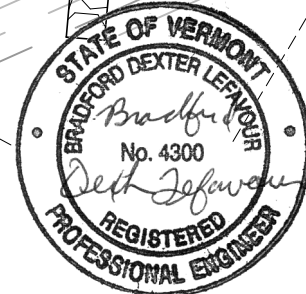
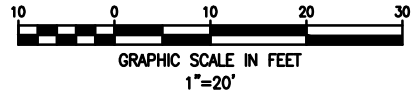
DSR NO. 5041-037
 311 NASMITH BROOK ROAD
 STREAMBANK PROTECTION - PLAN

PROJECT NO. 1056
 DESIGNED BY: BDL
 DRAWN BY: HST
 DATE: JULY 2024
 SCALE: AS NOTED

13



SITE PLAN



New England
Consulting Engineers

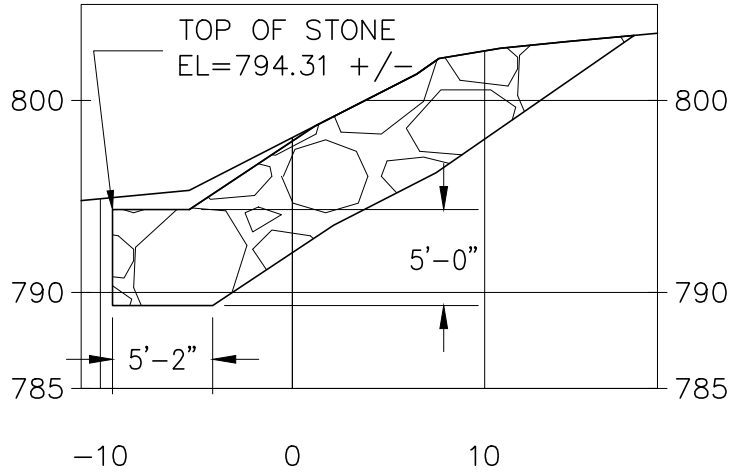
TOWN OF MARSHFIELD
USDA EWP PROJECT
MARSHFIELD, VERMONT

DSR NO. 5041-037
311 NASMITH BROOK ROAD - SITE 1
STREAMBANK PROTECTION - PLAN 1

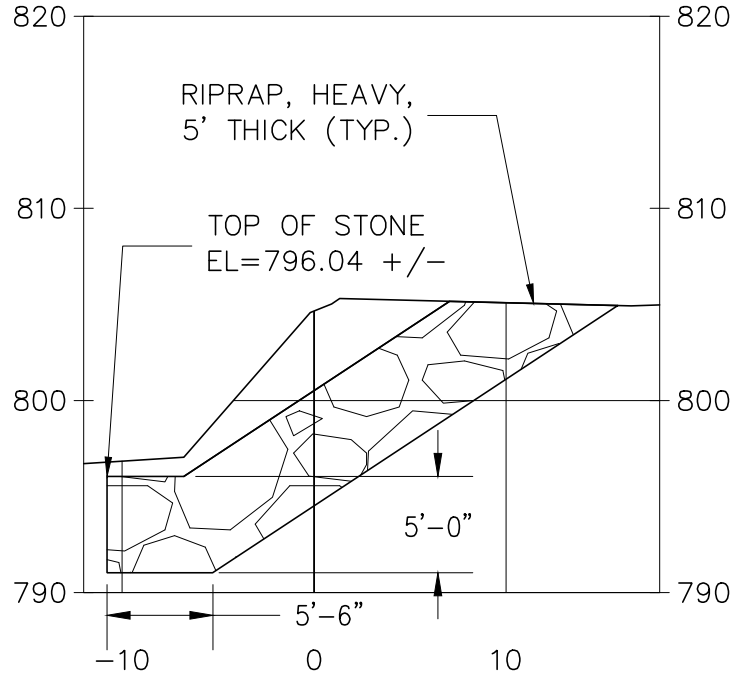
PROJECT NO. 1056
DESIGNED BY: BDL
DRAWN BY: HST
DATE: JULY 2024
SCALE: AS NOTED

14

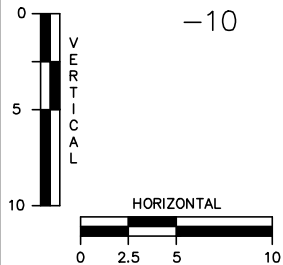
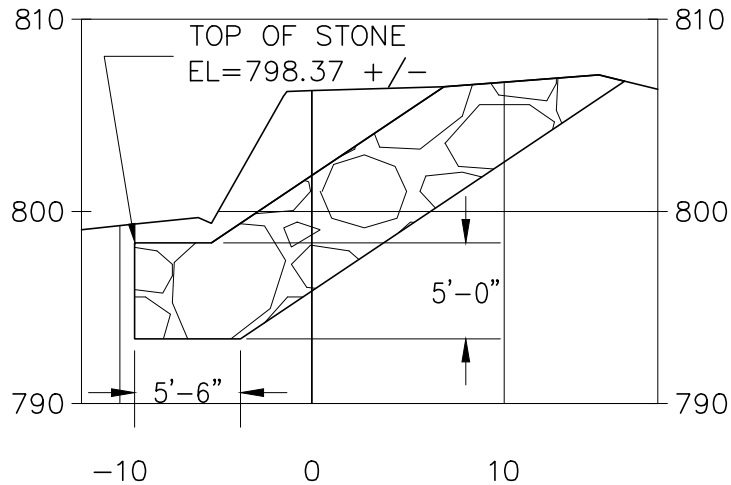
0+45.00



0+90.00

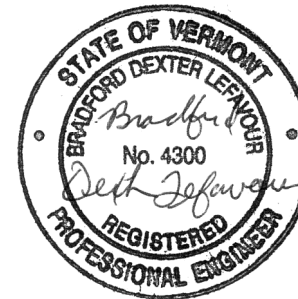


1+35.00



STREAM PROFILE STA 0+00 TO 1+44.17

SCALE: H 1'=10"
V 1=10'



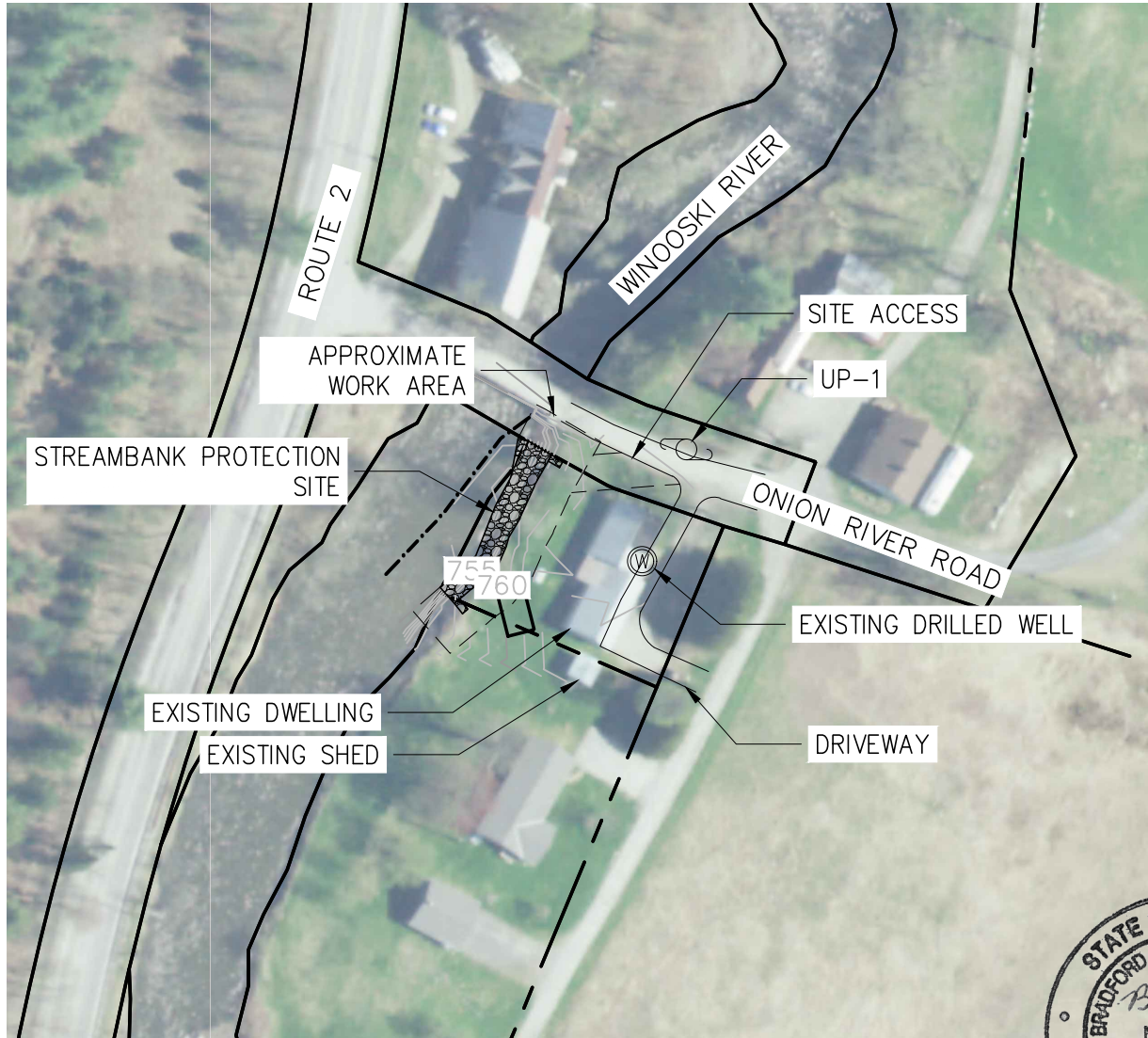
New England
Consulting Engineers

TOWN OF MARSHFIELD
USDA EWP PROJECT
MARSHFIELD, VERMONT

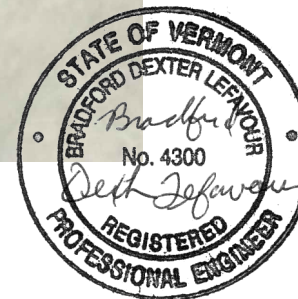
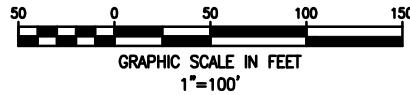
DSR NO. 5041-037
311 NASMITH BROOK ROAD - SITE 1
STREAMBANK PROTECTION - SECTIONS

PROJECT NO. 1056
DESIGNED BY: BDL
DRAWN BY: HST
DATE: JULY 2024
SCALE: AS NOTED

15



PLOT PLAN



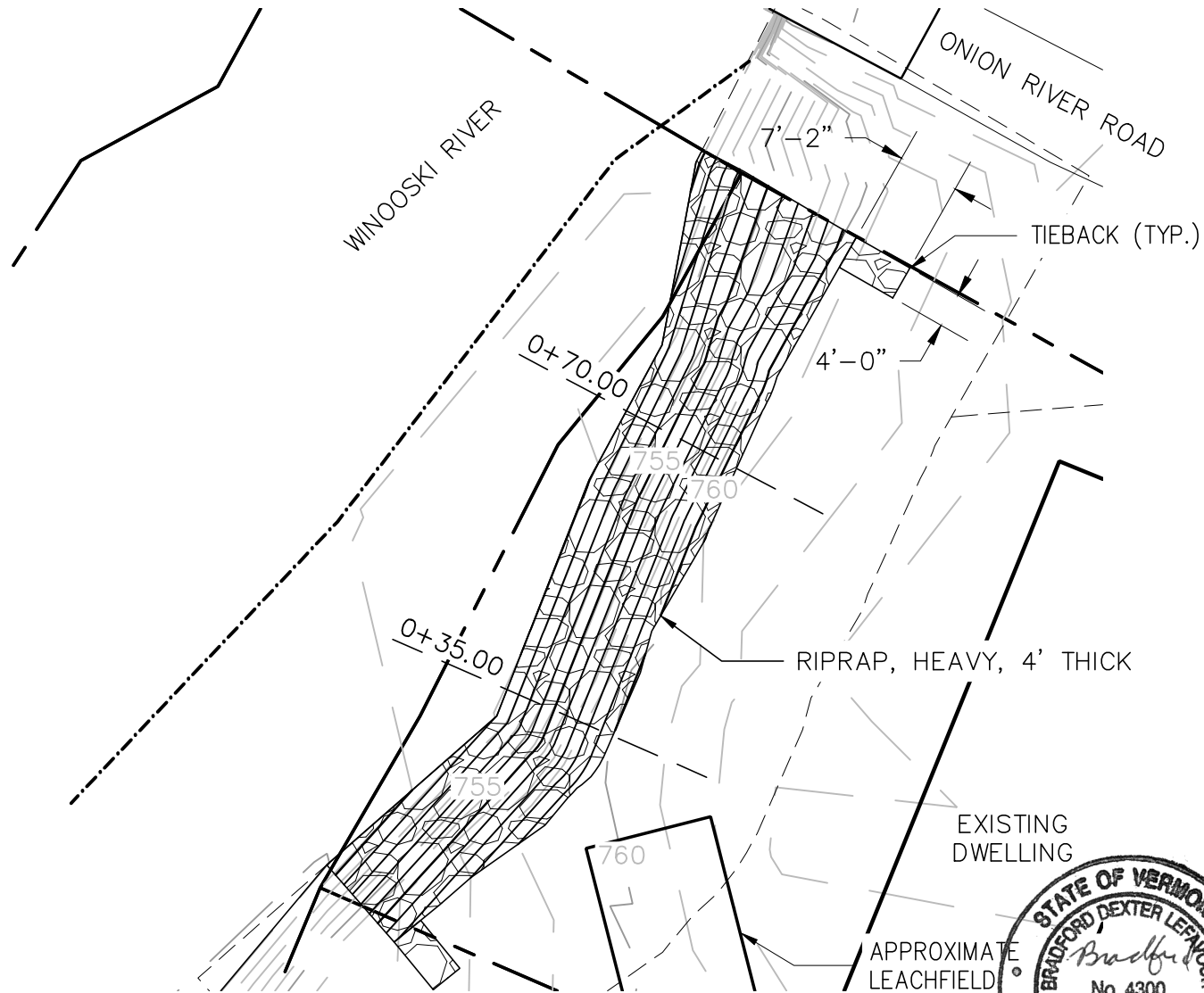
New England
 Consulting Engineers

TOWN OF MARSHFIELD
 USDA EWP PROJECT
 MARSHFIELD, VERMONT

DSR NO. 5041-041
 42 ONION RIVER ROAD
 STREAMBANK PROTECTION - PLAN

PROJECT NO. 1056
 DESIGNED BY: BDL
 DRAWN BY: HST
 DATE: JULY 2024
 SCALE: AS NOTED

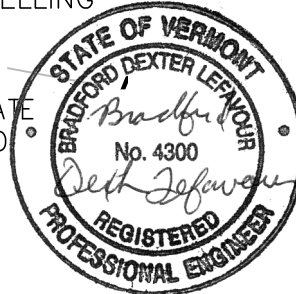
16



SITE PLAN



GRAPHIC SCALE IN FEET
1"=20'



New England
Consulting Engineers

TOWN OF MARSHFIELD
USDA EWP PROJECT
MARSHFIELD, VERMONT

DSR NO. 5041-041
42 ONION RIVER ROAD - SITE 1
STREAMBANK PROTECTION - PLAN 1

PROJECT NO. 1056

DESIGNED BY: BDL

DRAWN BY: HST

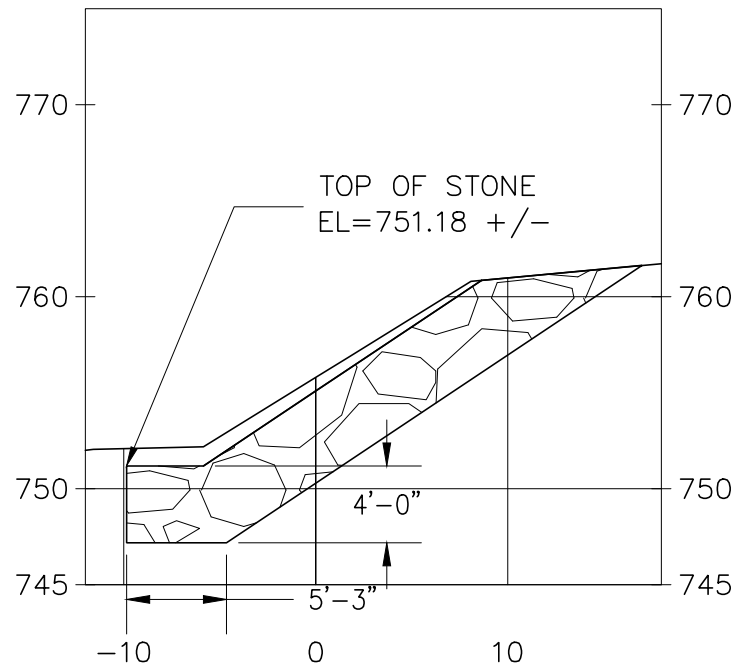
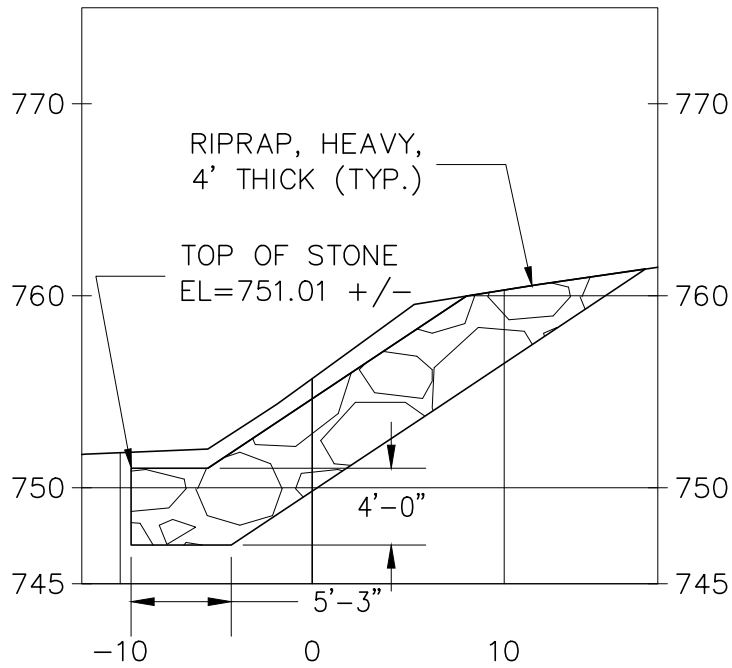
DATE: JULY 2024

SCALE: AS NOTED

17

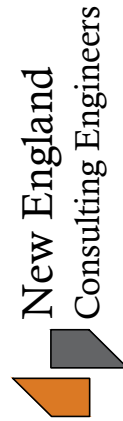
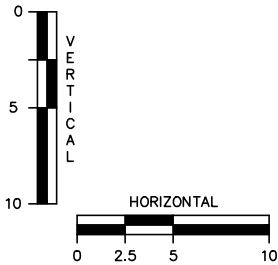
0+35.00

0+70.00



STREAM PROFILE STA 0+00 TO 1+02.28

SCALE: H 1'=10"
V 1=10'



TOWN OF MARSHFIELD
USDA EWP PROJECT
MARSHFIELD, VERMONT

DSR NO. 5041-041
42 ONION RIVER ROAD - SITE 1
STREAMBANK PROTECTION - SECTIONS

PROJECT NO. 1056

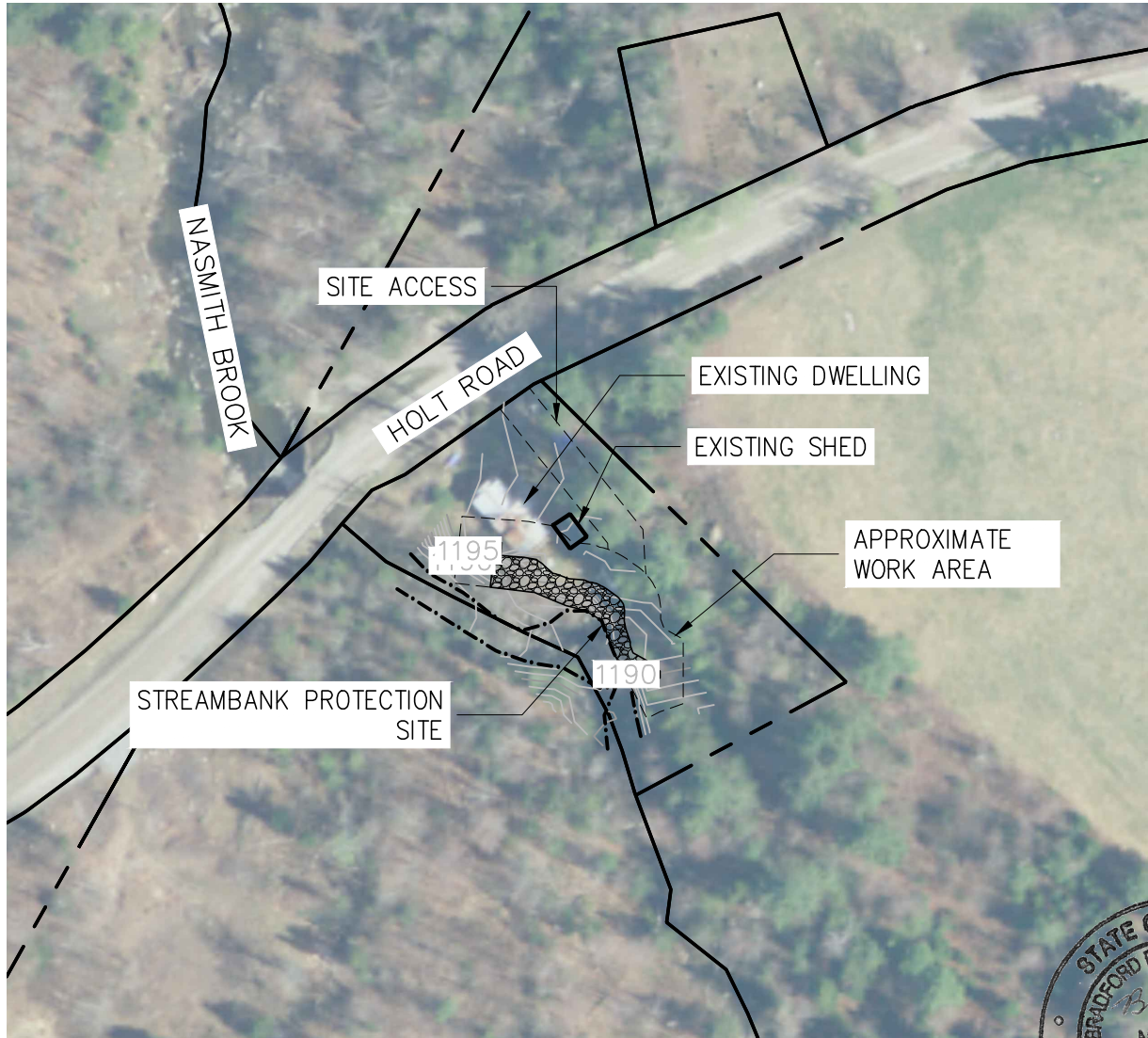
DESIGNED BY: BDL

DRAWN BY: HST

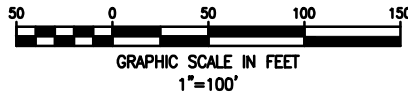
DATE: JULY 2024

SCALE: AS NOTED

18



PLOT PLAN



New England
Consulting Engineers

TOWN OF MARSHFIELD
USDA EWP PROJECT
MARSHFIELD, VERMONT

DSR NO. 5041-235
692 HOLT ROAD
STREAMBANK PROTECTION - PLAN

PROJECT NO. 1056

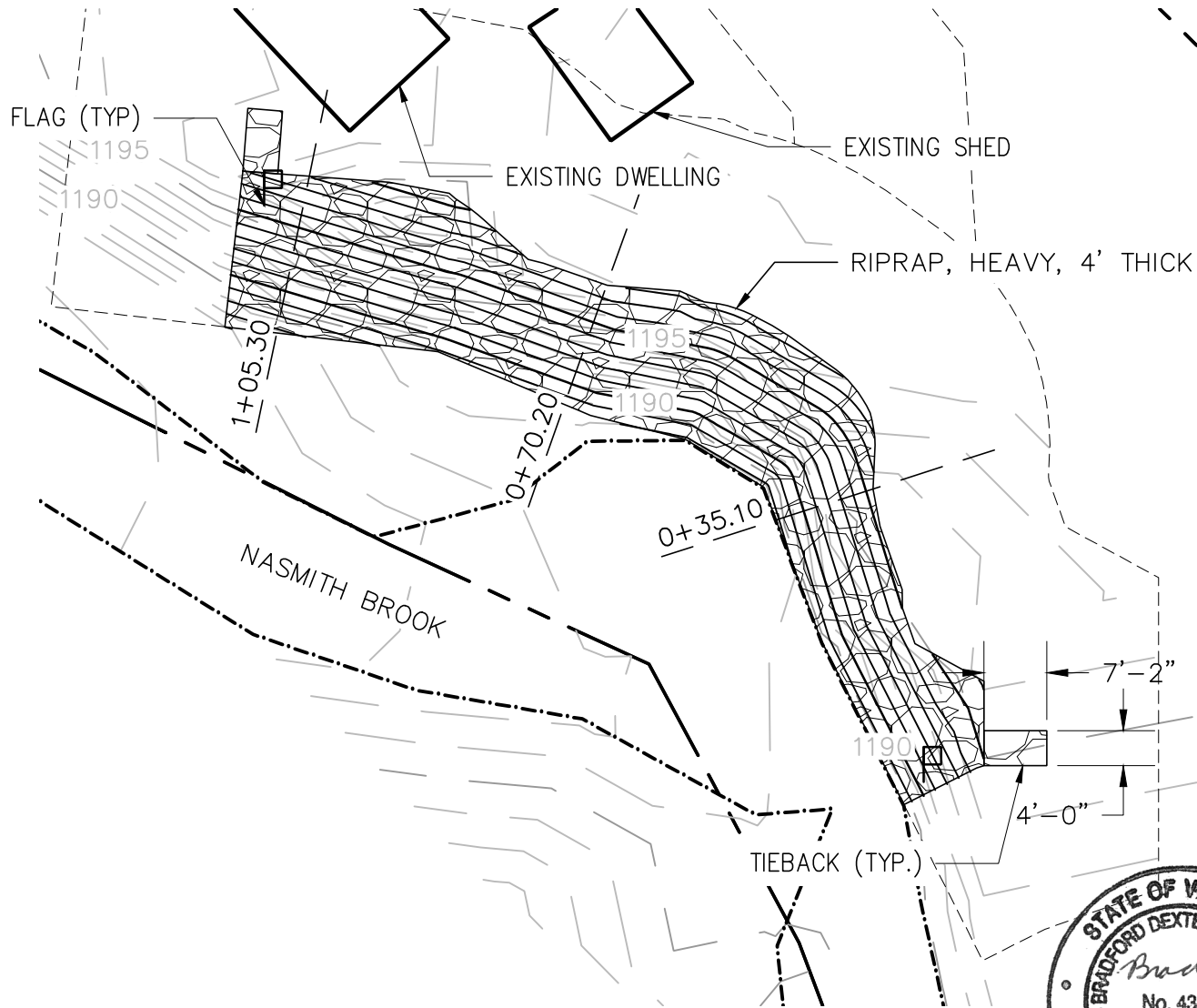
DESIGNED BY: BDL

DRAWN BY: HST

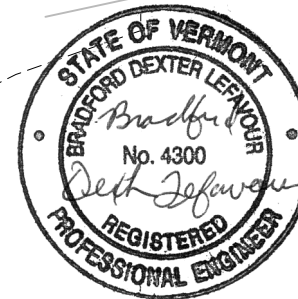
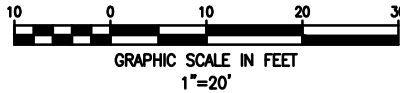
DATE: JULY 2024

SCALE: AS NOTED

19



SITE PLAN



New England
Consulting Engineers

TOWN OF MARSHFIELD
USDA EWP PROJECT
MARSHFIELD, VERMONT

DSR NO. 5041-235
692 HOLT ROAD - SITE 1
STREAMBANK PROTECTION - PLAN 1

PROJECT NO. 1056

DESIGNED BY: BDL

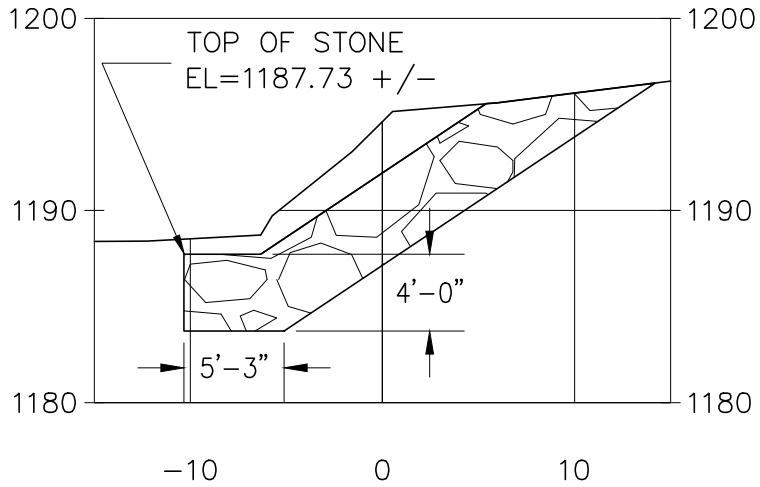
DRAWN BY: HST

DATE: JULY 2024

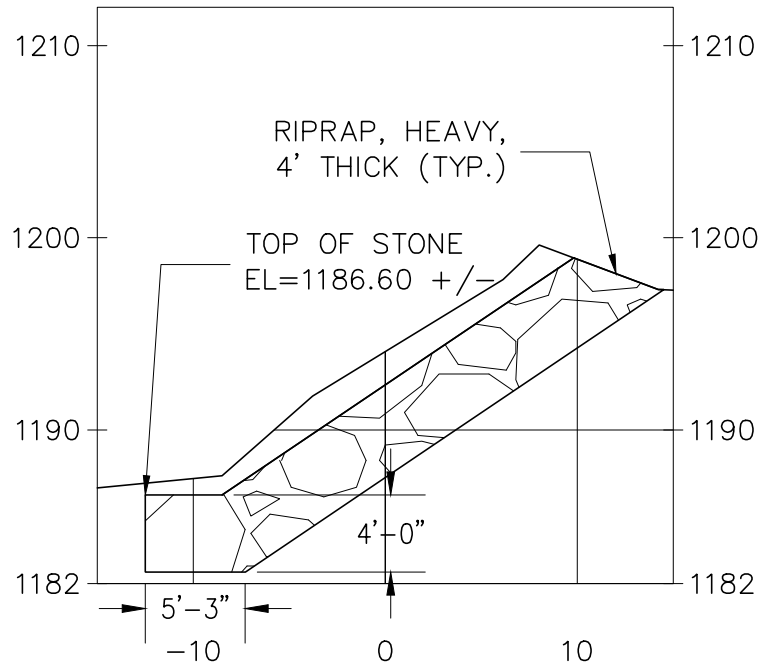
SCALE: AS NOTED

20

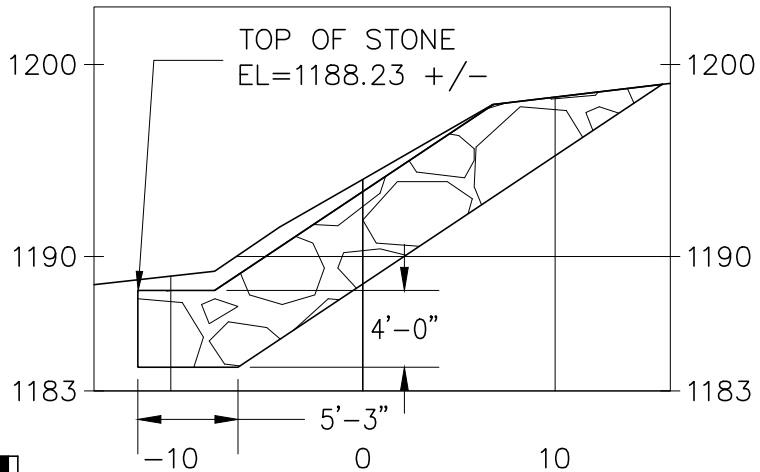
0+35.10



1+05.30



0+70.20



STREAM PROFILE STA 0+00 TO 1+13.95

SCALE: H 1'=10"
V 1'=10"



New England
Consulting Engineers

TOWN OF MARSHFIELD
USDA EWP PROJECT
MARSHFIELD, VERMONT

DSR NO. 5041-235
692 HOLT ROAD - SITE 1
STREAMBANK PROTECTION - SECTIONS

PROJECT NO. 1056

DESIGNED BY: BDL

DRAWN BY: HST

DATE: JULY 2024

SCALE: AS NOTED

21

21 OF 21