

ADDENDUM #3

January 14, 2025

East Calais Post Office & Moscow Woods Road Gully East, Vermont

ADDITIONAL INFORMATION:

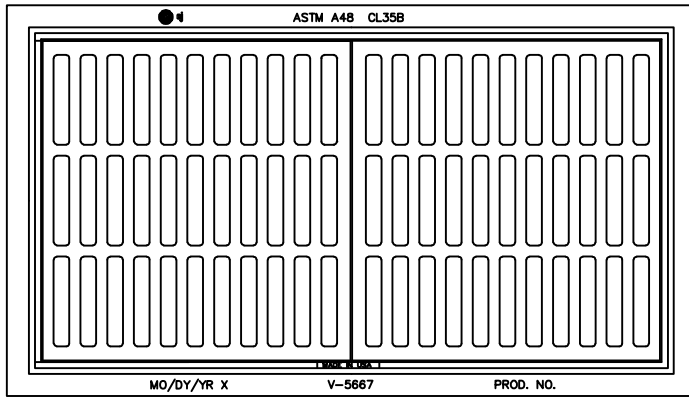
The depth of sump for the drywell, storm manhole, and catchbasin is 2.5 feet minimum below the outlet pipe.

The inlet grate called out for the dry well and catch basins can be substituted with attached 24" by 48" with structure top adjusted to alternative shape. See attached alternative detail. Inlet grate called out on plans continues to be acceptable.

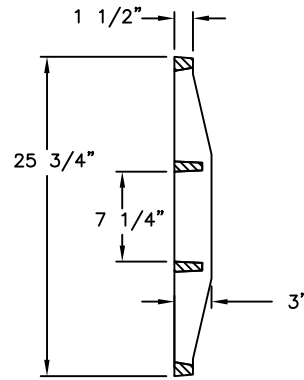
All other conditions remain the same.

END OF ADDENDUM #3

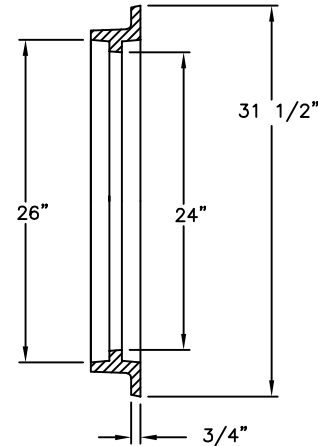
V5667 Assembly



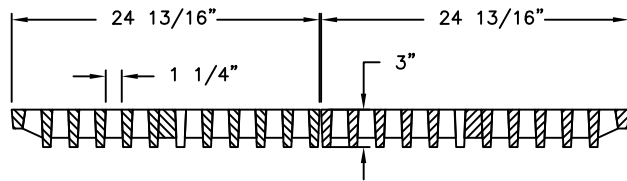
FRAME TOP VIEW



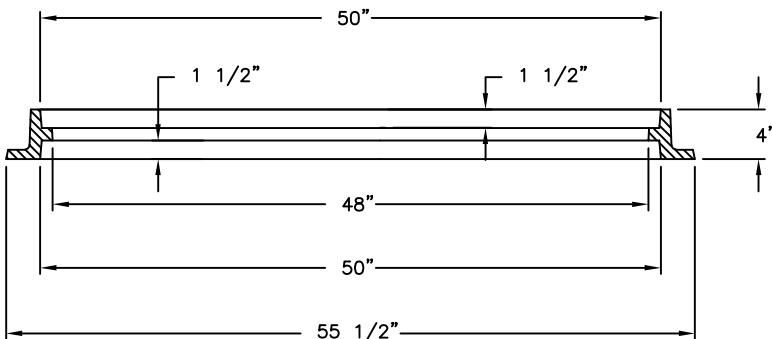
GRATE SECTION



FRAME SECTION



GRATE SECTION



FRAME SECTION

NOTE: FRAME IS REVERSIBLE.
FOR BOTTOM FLANGE ORDER No. V-5667
FOR TOP FLANGE ORDER NO. V-5867.

Product Number

45667002

Design Features

- Materials
 - Frame
 - Gray Iron (CL35B)
 - Grate
 - Gray Iron (CL35B)

- Load Rating
 - Heavy Duty
- Open Area
 - 530 sq in
- Coating
 - Undipped
- √ Designates Machined Surface

Certification

-
- ASTM A48
-
- Country of Origin: USA

Major Components

- 45667010
- 45667030 (2)

Drawing Revision

- 11/01/2007 Designer: GAD
- 1/3/2020 Revised By: MAH

Disclaimer

Weights (lbs./kg) dimensions (inches/mm) and drawings provided for your guidance. We reserve the right to modify specifications without prior notice.

CONFIDENTIAL: This drawing is the property of EJ GROUP, Inc., and embodies confidential information, registered marks, patents, trade secret information, and/or know how that is the property of EJ GROUP, Inc. Copyright © 2012 EJ GROUP, Inc. All rights reserved.

Contact

800 626 4653
ejco.com